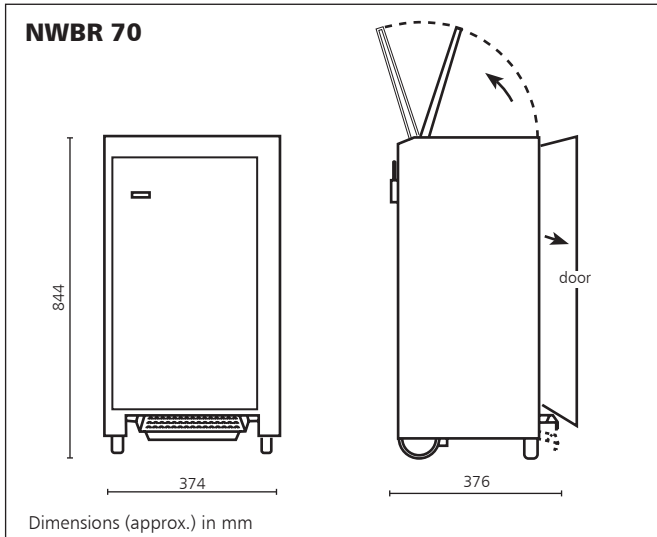
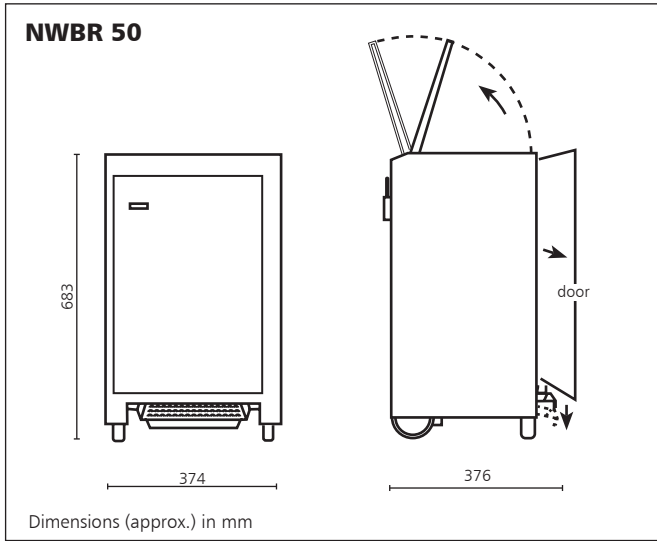


NWB Series WASTE BIN

waste bin with self-closing damped lid,
closed container, self-supporting, rollable,
with front opening



Ophardt Hygiene-Technik GmbH + Co. KG
Lindenau 27 • D-47661 Issum
Tel.: +49 2835 18-0 • Fax: +49 2835 18-77
E-Mail: info@ophardt.com • www.ophardt.com



Waste bin

References:

- ▶ for every purpose
- ▶ Nursing homes, hospitals, laboratories, industry, gastronomy and hotels, public facilities

Place of Application:

▶ Hospital and medical domain, public wash room, lavatory, toilet, bath, kitchen

Technical Data

Housing: Stainless steel brushed ground
Lid: Stainless steel brushed ground, damped
Capacity: 50 litres, 70 litres

Description

NWBR 50 Art-No. 1416591

..... pcs

Waste bin, 50 litres,
stainless steel brushed ground,
self-closing damped lid
stainless steel lid,
closed container, invisible sack,
self-supporting, rollable,
front opening
Dimensions W 374 x H 683 x D 376 mm

NWBR 70 Art-No. 1416592

..... pcs

Waste bin, 70 litres,
stainless steel brushed ground,
self-closing damped lid
stainless steel lid,
closed container, invisible sack,
self-supporting, rollable,
front opening
Dimensions W 374 x H 844 x D 376 mm

Product:

NWB

Manufacture:

OPHARDT HYGIENE-TECHNIK GmbH + Co. KG